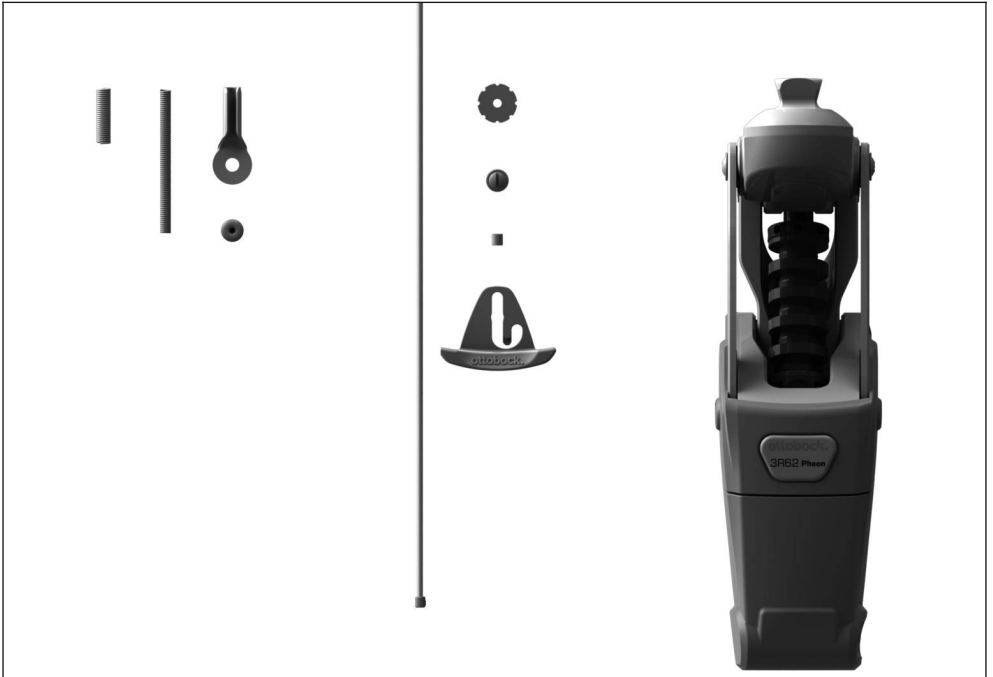


**ottobock.**



21A37=3, 4G114=1, 3R62\*

Assembly instructions

Montieren des Sperren-Entriegelungszugseils/Installing the lock release cable (1/2)

**21A37=3**



21A17=3.8X1000  
(50 mm)



21A5



503F3



21A6



507S15

**4G114=1**



21A45=0.83



507S15



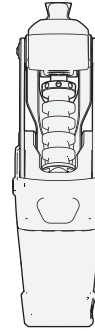
516S3



21A12

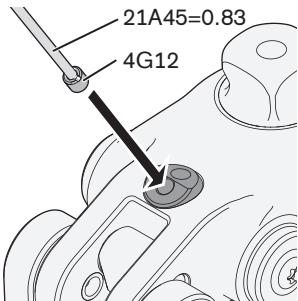


4F17=N



3R62\*, 3R62=1\*

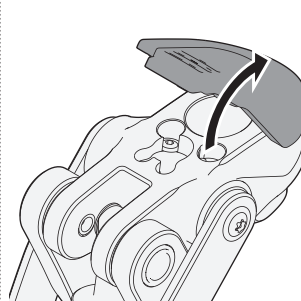
1



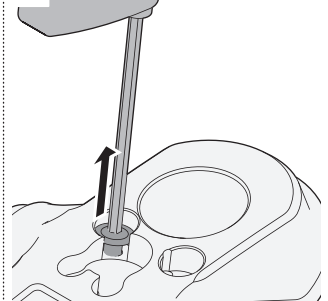
21A45=0.83

4G12

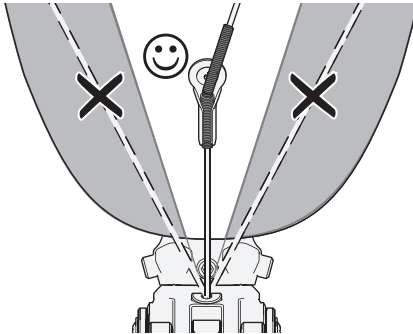
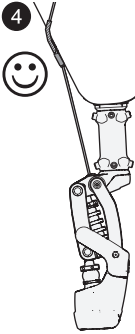
2



3

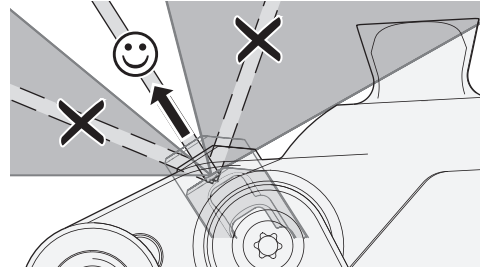
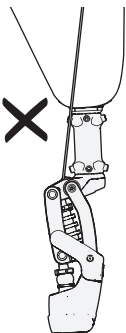


4



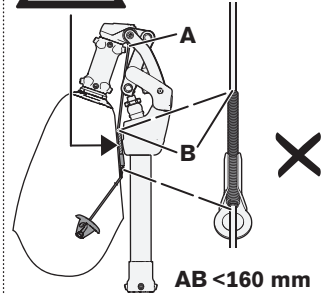
21A45=0.83 -

Sichere Zugrichtung/Safe pulling direction

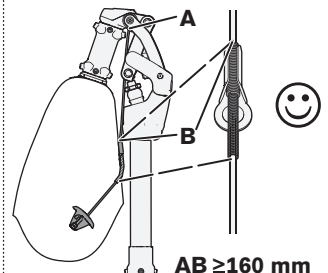


**Quetschgefahr!**

**Risk of pinching!**

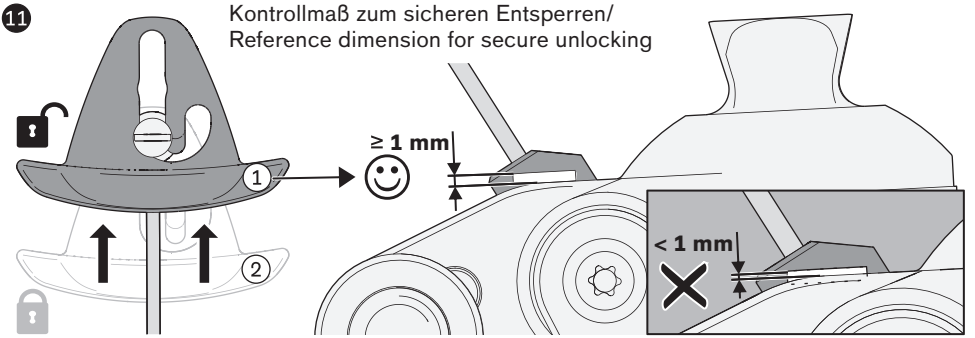
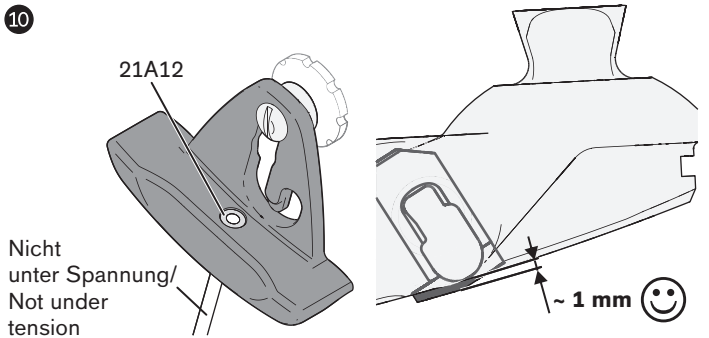
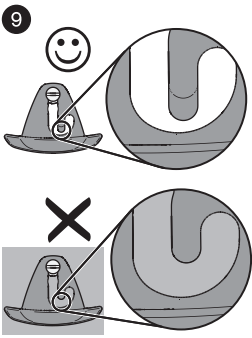
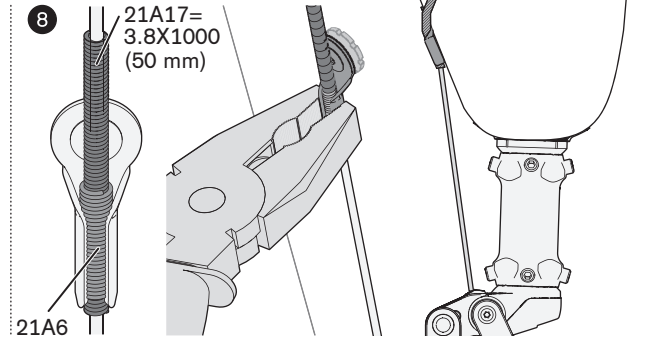
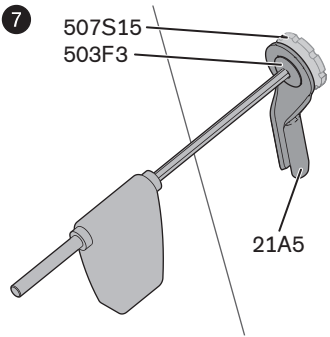
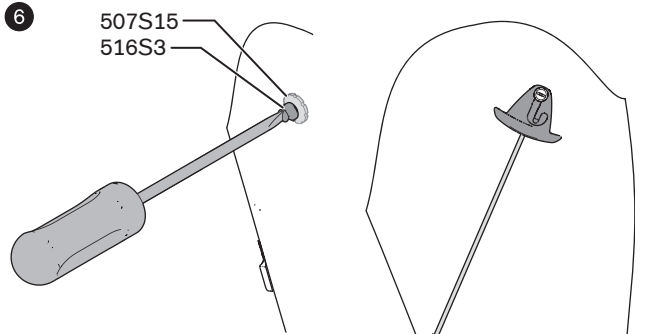
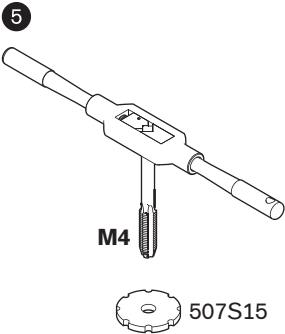


**AB < 160 mm**



**AB ≥ 160 mm**

Montieren des Sperren-Entriegelungszugseils/Installing the lock release cable (2/2)



Otto Bock HealthCare GmbH  
Max-Näder-Straße 15 · 37115 Duderstadt · Germany  
T +49 5527 848-0 · F +49 5527 72330  
healthcare@ottobock.de · www.ottobock.com