



Pheon 3R62, 3R62=KD, 3R62=ST

Pheon 3R62=1, 3R62=1-KD, 3R62=1-ST

Quick reference guide

1

647G876

1

ottobock.

Phone 3R62, 3R62-KD, 3R62-ST
Phone 3R62-1, 3R62-1-KD, 3R62-1-ST

CE

647G876

1 ← 1-10 → 10

2

647G876

1.1

3R62
3R62=1

3R62=KD
3R62=1-KD

3R62=ST
3R62=1-ST

155°

3

647G876

1.2

3S107

6R6

3R27









4R56*














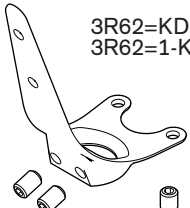
4R156*










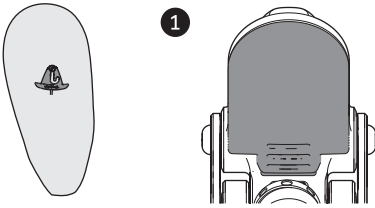
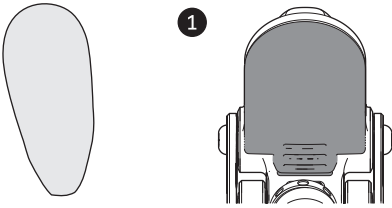
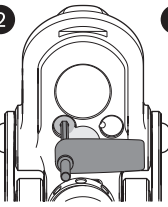
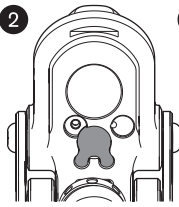
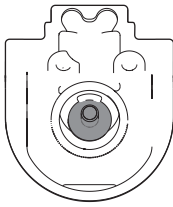
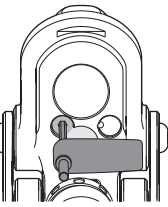
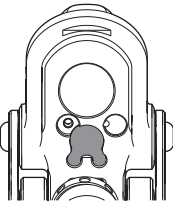
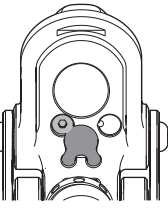
ottobock.

646K2

Ready for life

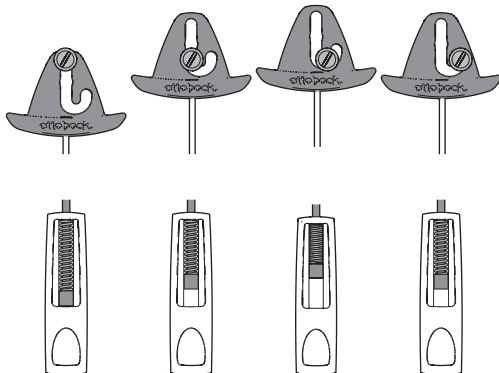
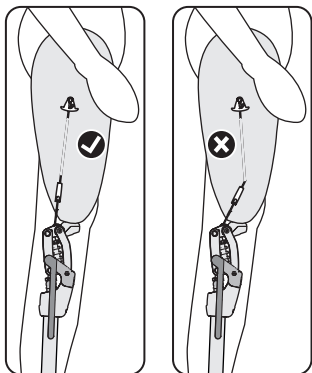
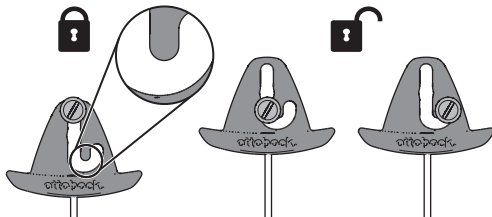
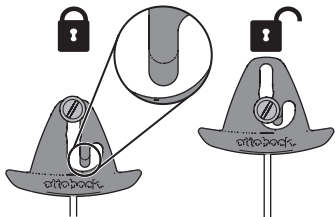
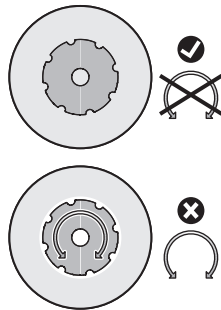
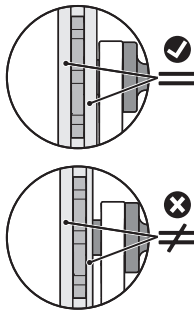
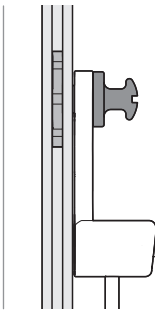
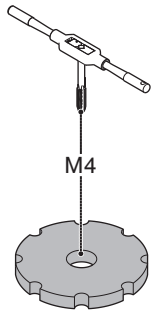
4	 3R62	 3R62=1
2.1	 3R62=KD	 3R62=1-KD
	 3R62=ST	 3R62=1-ST
	 <p>75–125 kg 165–275 lbs</p>	 <p>45–75 kg 100–165 lbs</p>

5																
4					 647G876				 647H546				 3R62=KD 3R62=1-KD			

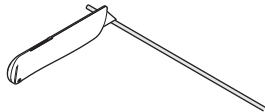
6												
5.2					 647G876							
	 1				 1							
	 2				 2							
	 3				 3							
	 4				 4							

7
847G876

5.3



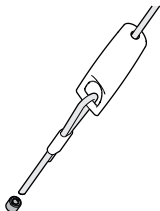
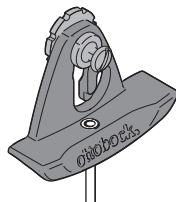
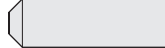
1



2



3



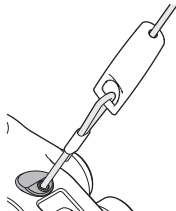
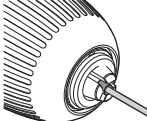
4



5



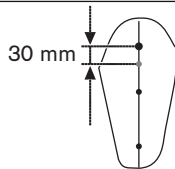
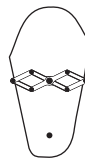
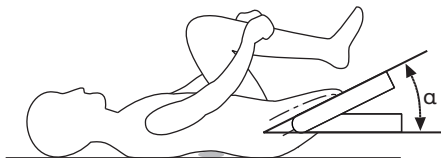
6



8

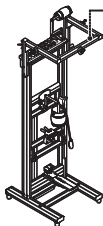


5.5

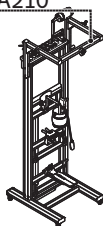


743A80

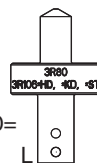
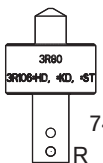
743A210



743A200



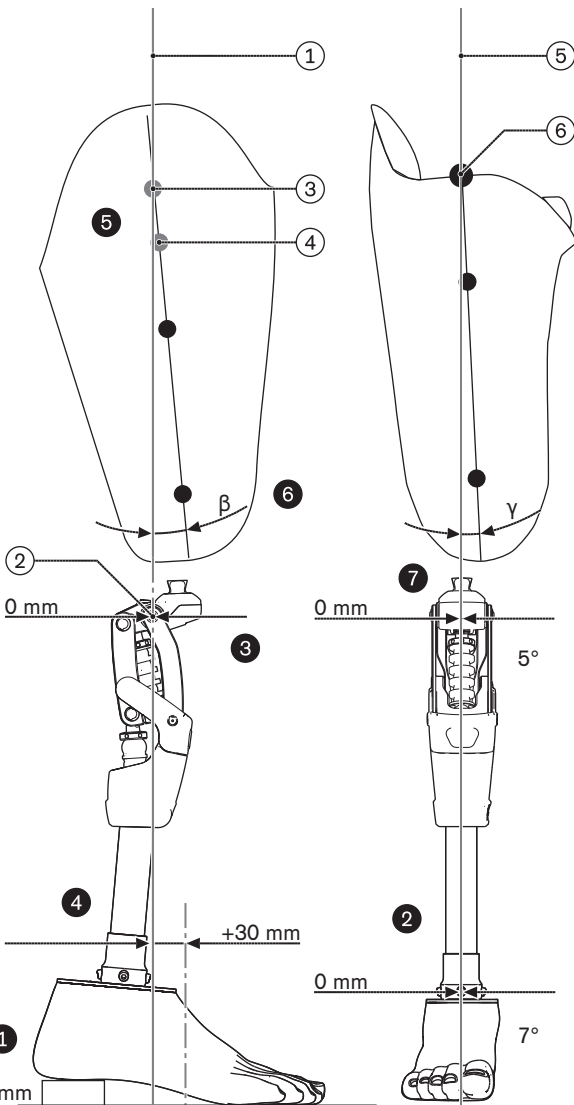
743A220



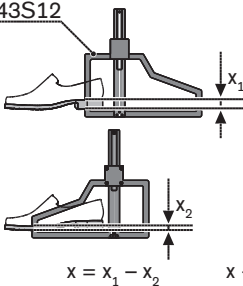
743Y580=

R

L

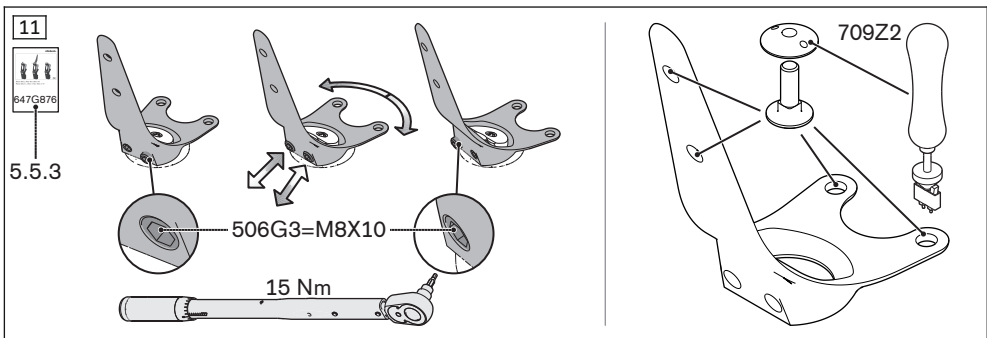
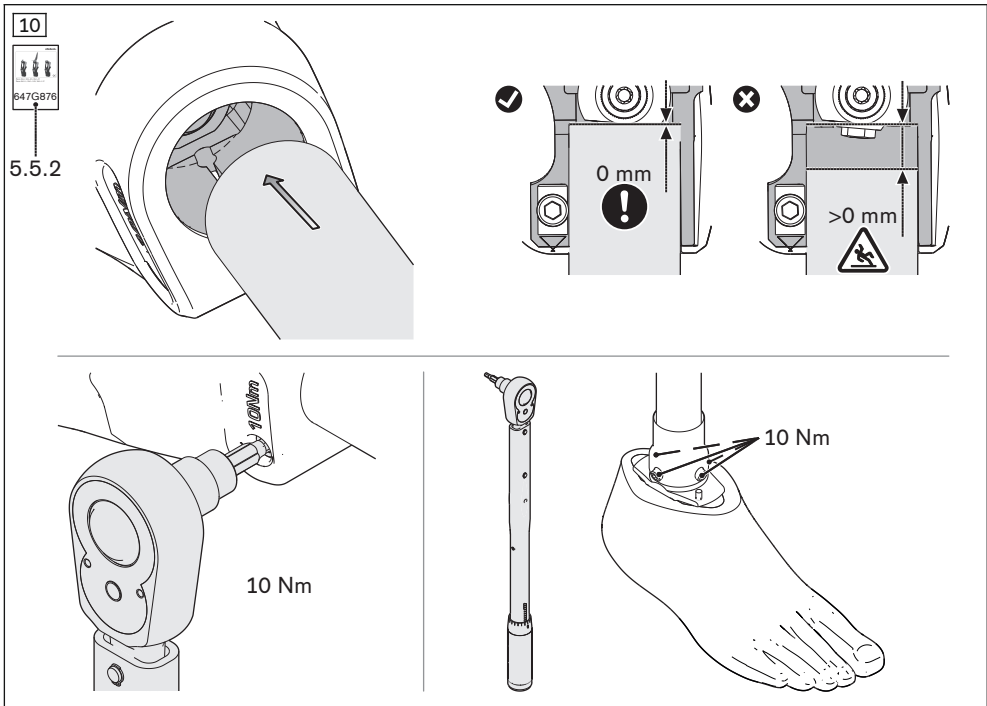
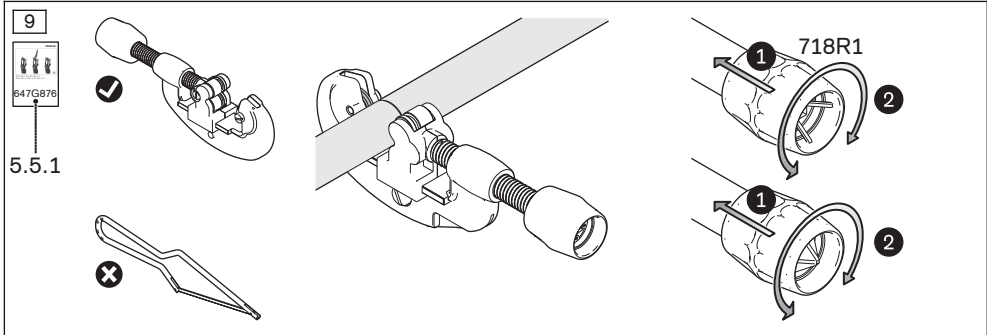


743S12



$x = x_1 - x_2$

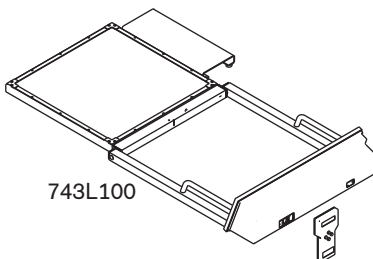
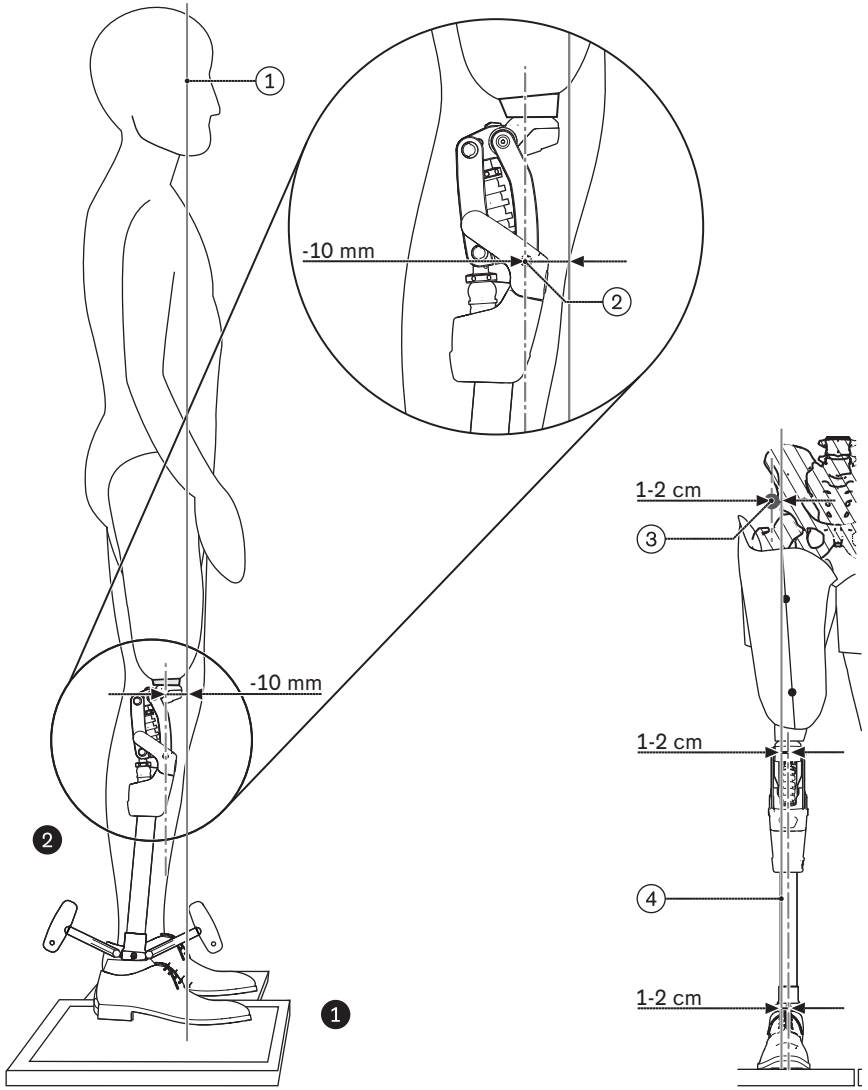
x + 5 mm



12



5.6



13

5.7.1

3R62

3R62=1

3R62=KD

3R62=1-KD

3R62=ST

3R62=1-ST

$m = 1,5 \text{ mm}$

$m = 1,0 \text{ mm}$

14

5.7.1

1,5 mm

15

5.7.1

2,0 Nm

16

5.7.2

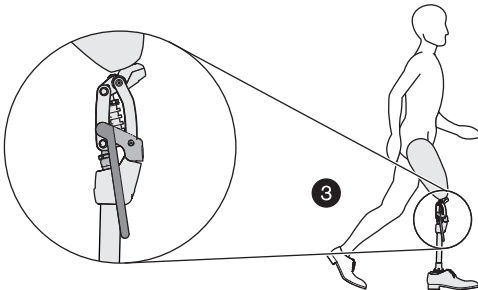
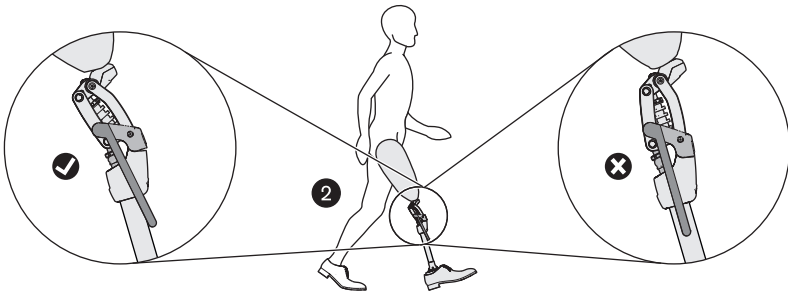
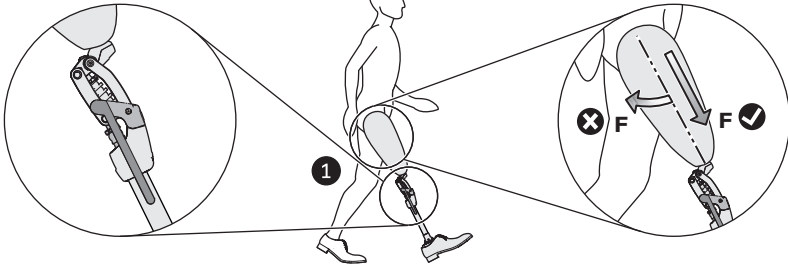
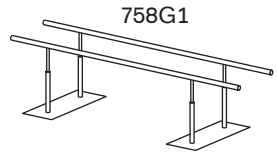
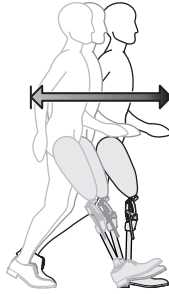
4G618

17



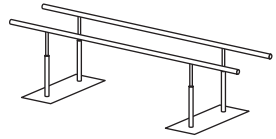
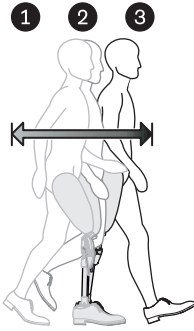
5.7.2

1 2 3

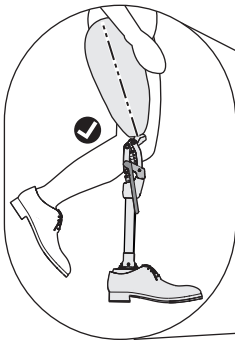




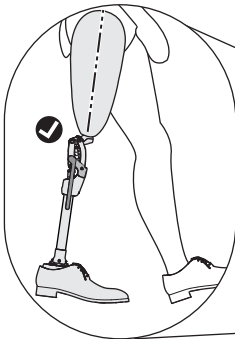
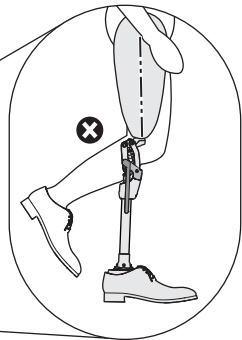
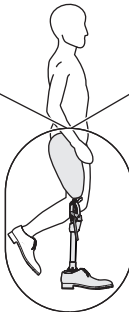
5.7.2



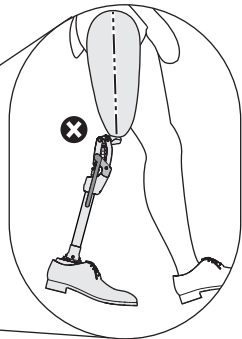
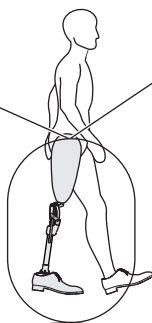
$$t_1 \text{ (clockwise)} = t_2 \text{ (counter-clockwise)}$$



t₁ (clockwise)



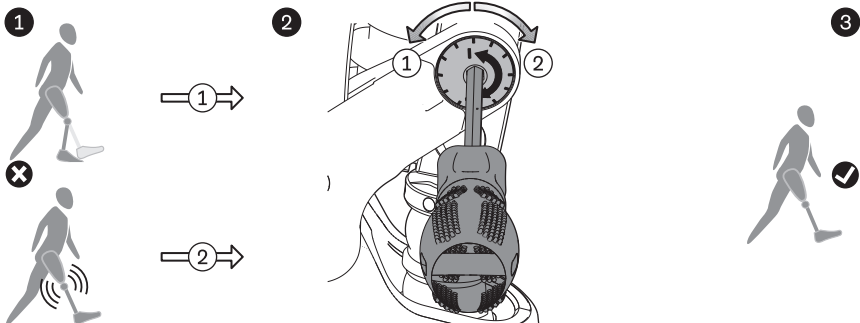
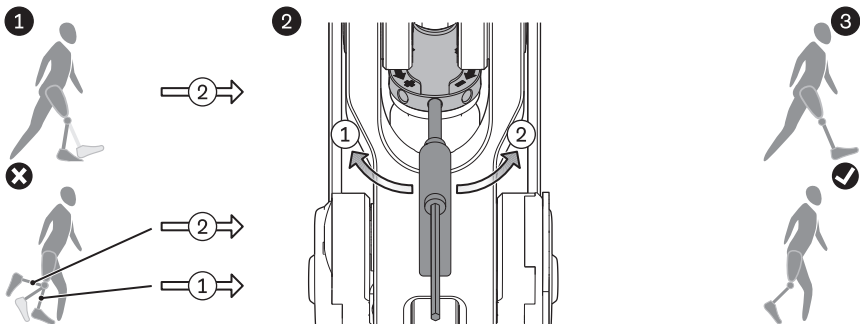
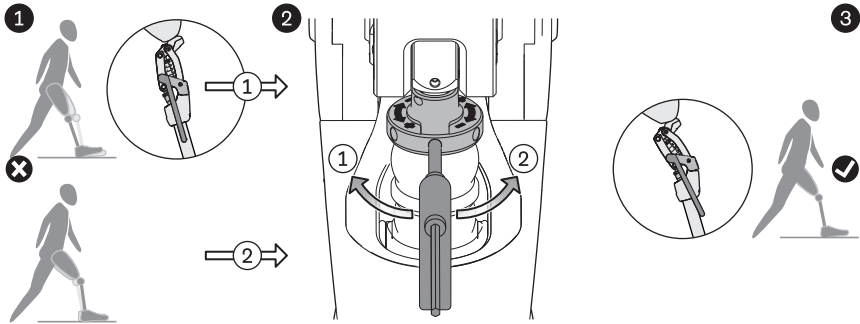
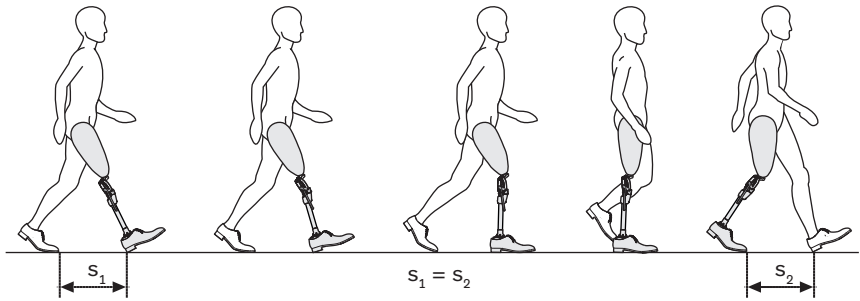
t₂ (counter-clockwise)



19



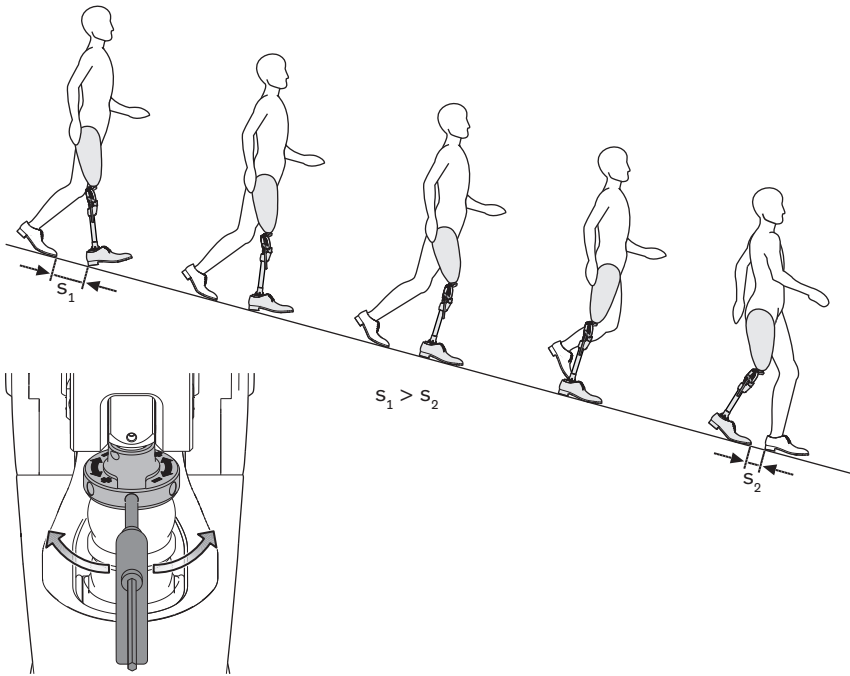
5.7.2
5.7.3
5.7.4
5.7.5



20



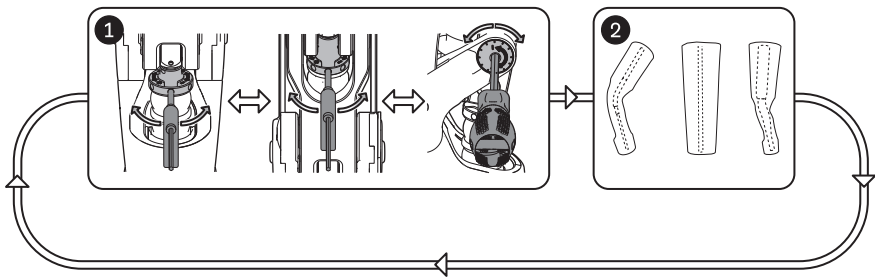
5.7.2



21



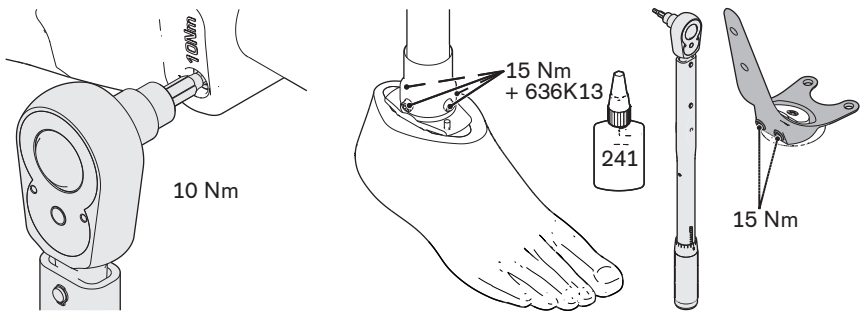
5.4
5.7.5



22



5.8





Otto Bock HealthCare GmbH
Max-Näder-Straße 15 · 37115 Duderstadt · Germany
T +49 5527 848-0 · F +49 5527 72330
healthcare@ottobock.de · www.ottobock.com

Ottobock has a certified Quality Management System in accordance with ISO 13485.